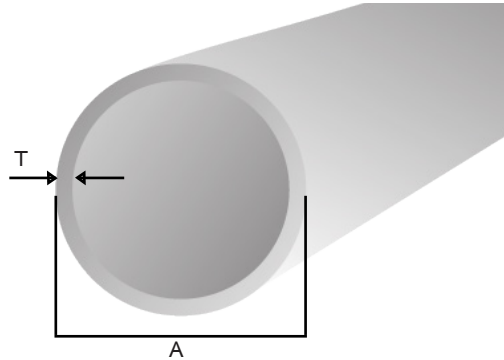




บริษัท มหานครมิทอล จำกัด
THE METROPOLITAN METAL CO., LTD.

Contact Us : 02-621-6235-9 E-mail : info@metropolitan.com

ท่อกลม (Round Tube)



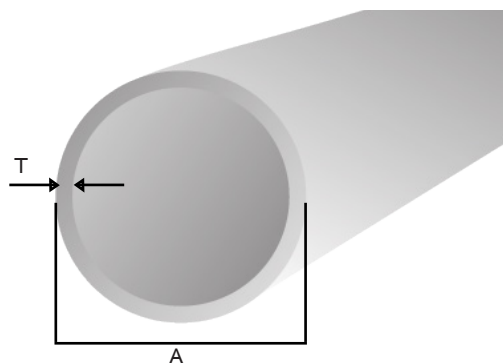
DIE NO.	A (mm.)	T (mm.)	WEIGHT (kg. / m.)
11012	9.53	1.00	0.073
11285	9.50	1.10	0.079
11265	9.53	1.20	0.085
11013	9.53	1.20	0.850
11008	9.53	1.50	0.102
11194	12.00	1.00	0.094
11024	12.00	1.20	0.110
11224	12.00	1.75	0.153
11004	12.00	2.00	0.170
11221	12.70	1.00	0.100
11021	12.70	1.10	0.109
11025	12.70	1.20	0.117
11279	14.95	4.57	0.404
11038	15.80	2.90	0.318
11030	15.88	1.20	0.150
11029	15.88	1.40	0.172
11311	15.88	1.40	0.172
11307	15.88	1.50	0.184
11152	15.88	1.80	0.215
11018	15.88	2.94	0.324
11225	16.00	1.75	0.212
11281	16.50	3.50	0.387
11031	18.40	3.60	0.454
11039	19.00	1.00	0.153
11032	19.00	2.50	0.351
11042	19.05	0.92	0.139
11041	19.05	1.10	0.168
11040	19.05	1.20	0.182
11312	19.05	1.40	0.210
11044	19.05	1.65	0.245
11311	19.05	2.80	0.387
11104	20.00	4.85	0.624
11289	22.10	1.90	0.327



บริษัท มหานครมิทอล จำกัด
THE METROPOLITAN METAL CO., LTD.

Contact Us : 02-621-6235-9 E-mail : info@metropolitan.com

ท่อกลม (Round Tube)



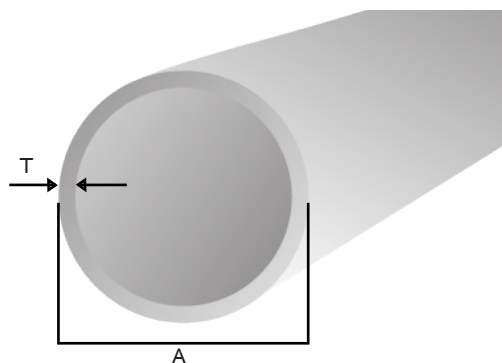
DIE NO.	A (mm.)	T (mm.)	WEIGHT (kg./m.)
11028	22.20	1.10	0.198
11051	22.22	1.10	0.196
11054	22.22	1.60	0.281
11296	22.25	5.02	0.737
11267	22.40	3.00	0.495
11076	23.00	4.90	0.755
11220	25.00	1.25	0.253
11065	25.00	4.30	0.758
11063	25.40	0.90	0.188
11050	25.40	1.10	0.227
11060	25.40	1.30	0.266
11064	25.40	1.50	0.305
11062	25.40	1.60	0.324
11066	25.40	2.00	0.398
11320	26.00	5.00	0.894
11280	28.50	3.00	0.651
11061	28.58	1.30	0.302
11070	31.75	1.20	0.312
11071	31.75	1.30	0.337
11080	31.75	3.00	0.734
11302	31.75	6.00	1.315
11211	33.00	3.40	0.857
11253	33.00	6.75	1.508
11258	34.50	1.30	0.367
11314	34.93	3.00	0.815
11193	36.00	6.50	1.632
11093	36.00	6.50	1.633
11175	36.50	6.50	1.660
11254	38.00	3.00	0.894
11081	38.10	1.20	0.377
11292	38.10	6.00	1.640
11058	38.10	9.05	2.238
11272	39.50	7.50	2.043



บริษัท มหานครมิทอล จำกัด
THE METROPOLITAN METAL CO., LTD.

Contact Us : 02-621-6235-9 E-mail : info@metropolitan.com

ท่อกลม (Round Tube)



DIE NO.	A (mm.)	T (mm.)	WEIGHT (kg. / m.)
11310	39.50	8.25	2.195
11106	39.80	2.40	0.764
11319	43.00	7.50	2.267
11288	43.50	7.50	2.299
11298	44.00	3.70	1.269
11094	44.45	1.63	0.594
11091	44.45	3.18	1.114
11120	46.00	8.50	2.714
11117	46.00	8.75	2.775
11321	46.00	9.75	3.009
11271	47.00	3.50	1.296
11097	48.00	10.50	3.352
11212	50.40	2.70	1.096
11100	50.80	1.20	0.507
11316	50.80	2.00	0.831
11317	50.80	2.90	1.183
11269	50.80	3.00	1.221
11294	50.80	6.00	2.288
11300	51.00	3.50	1.415
11262	54.00	9.95	3.731
11090	54.00	11.50	4.161
11263	54.00	13.25	4.597
11252	56.00	9.25	3.682
11301	57.15	6.00	2.613
11260	58.00	12.00	4.700
11131	60.32	3.91	1.878
11110	60.40	1.20	0.605
11112	63.50	1.20	0.636
11293	63.50	6.00	2.937
11308	76.20	18.00	8.919
11140	81.00	2.50	1.67
11190	101.60	1.20	1.026
11022	121.70	2.35	0.207
11230	127.00	1.20	1.285